

**SONY**

Hi-Fi Products  
Service Bulletin

Sony Service Company - Technical Services  
A Division of Sony Corporation of America  
Sony Drive, Park Ridge, New Jersey 07656

**Model:** CFD-D77

**No.** 68

**Subject:** Mechanical Noise During CD Play

**Date:** May 8, 1989

**Symptom:**  
(54)

A metallic sound is being heard while playing CDs.

Resonance within the MD chassis assembly causes the MD cover to vibrate and produce mechanical noise.

- Solution:**
- o Short R780 on the filter board with a wire.
  - o Add the filter board assembly.

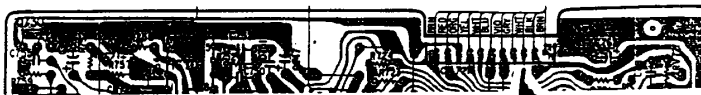
Description	Part Number
Mounted PCB, Filter	A-3289-402-A

**Note:** The filter board was originally used in the CFD-D75. Therefore, refer to the schematic diagram in the CFD-D75 Service Manual.

Connect the filter board to the CD sub-board with five wires as indicated by the following table.

Mounted PCB, Filter	1	2	3	4	5
CD Sub-Board	CN803 Pin 3	C809	C801	IC802 Pin 2	IC802 Pin 1

- o Cut the pattern as indicated by the arrow.
- o Perform the focus adjustment as follows.
- o Connect the oscilloscope between Pin 9 of CN721 and Pin 14 of IC701 .
- o Refer to the service manual for further procedure.



CD Main Board

CN721 Pin 9

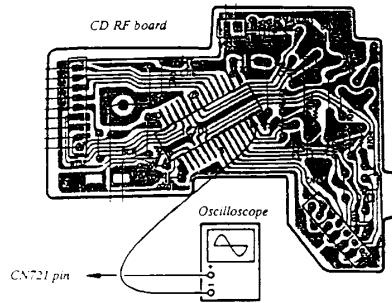
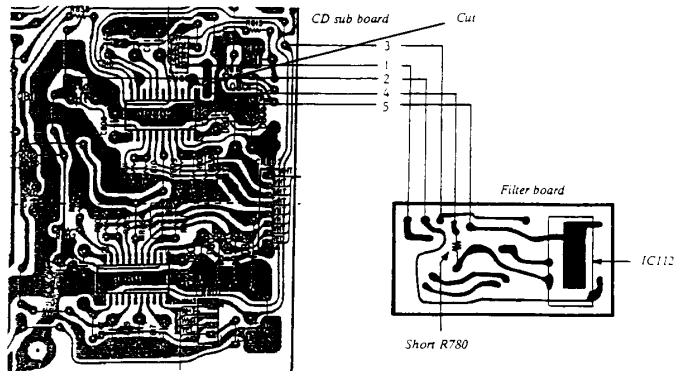
(Continued)

Reference: TN: AU89006

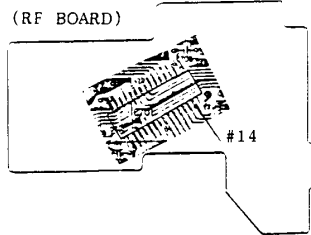
PRINTED IN U.S.A.  
CSA-11489-1

Portable Stereo

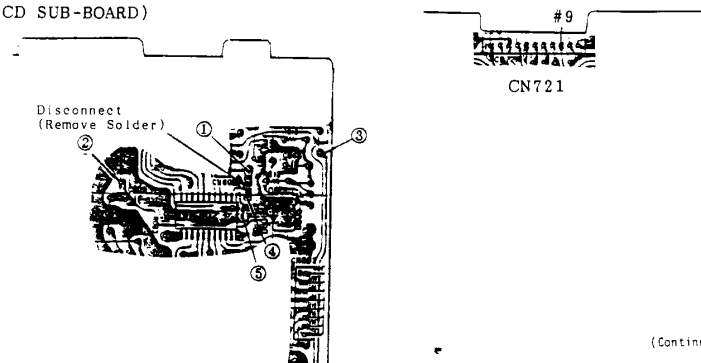
CSA-13



CFD-D77  
(CD SUB-BOARD)

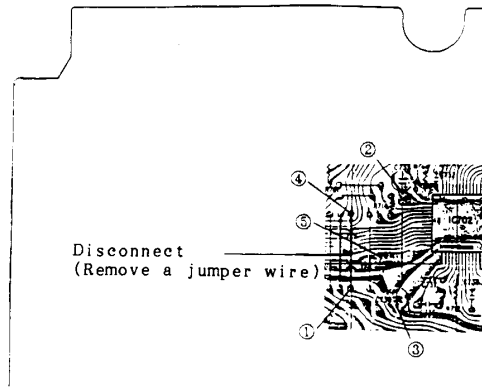


(CD MAIN BOARD)



(Continued)

CFD-66/66S/66L  
(MAIN BOARD)



(RF BOARD)

